

# 320 Series

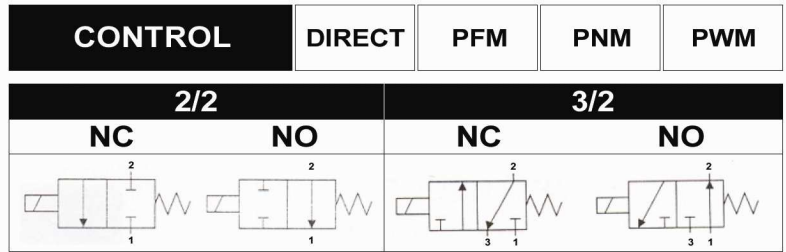


*MINI SOLENOID VALVE  
PNEUMATIC DIVISION*

**MATRIX**  
mechatronics

# 320 Series - Model 321

3/2 2/2 NC NO



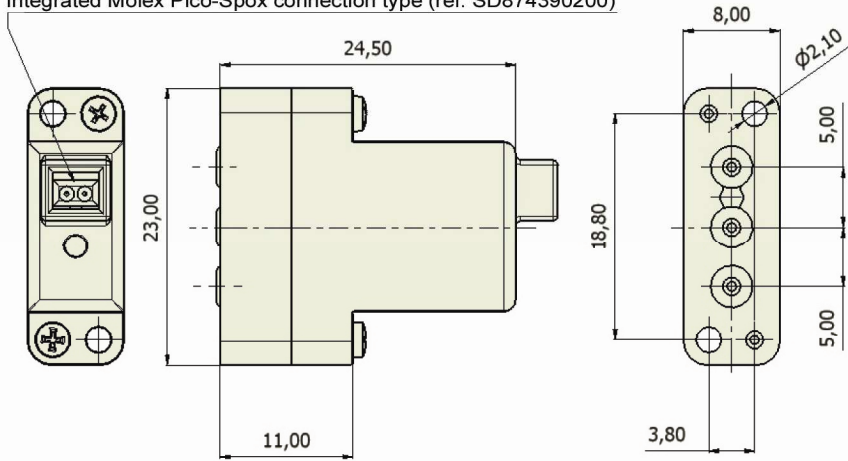
GENERAL CHARACTERISTICS	
Working fluid (0 to 50 °C)	Non-lubricated dry air, inert gases
Filtration requirements	40 micron (min.)
Temperature range	-10 to 50 °C (ambient)
Opening time	3 ms
Closing time	1,5 ms
Maximum working frequency	200 Hz
Weight	~ 9 gr.
Product life expectancy	up to ½ billion cycles
IP rating	IP52 (std.) - IP62 (opt.)

## PRODUCT IDENTIFICATION

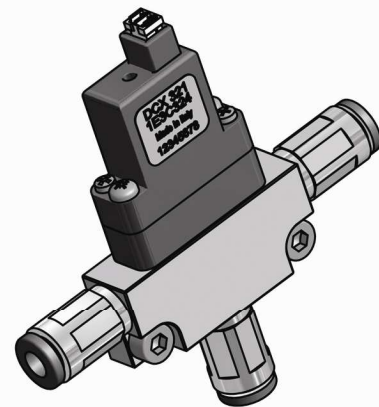
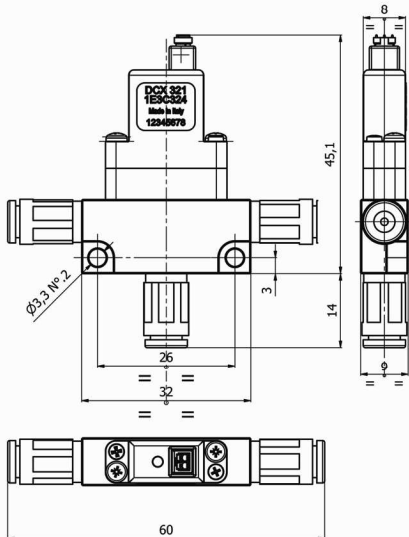
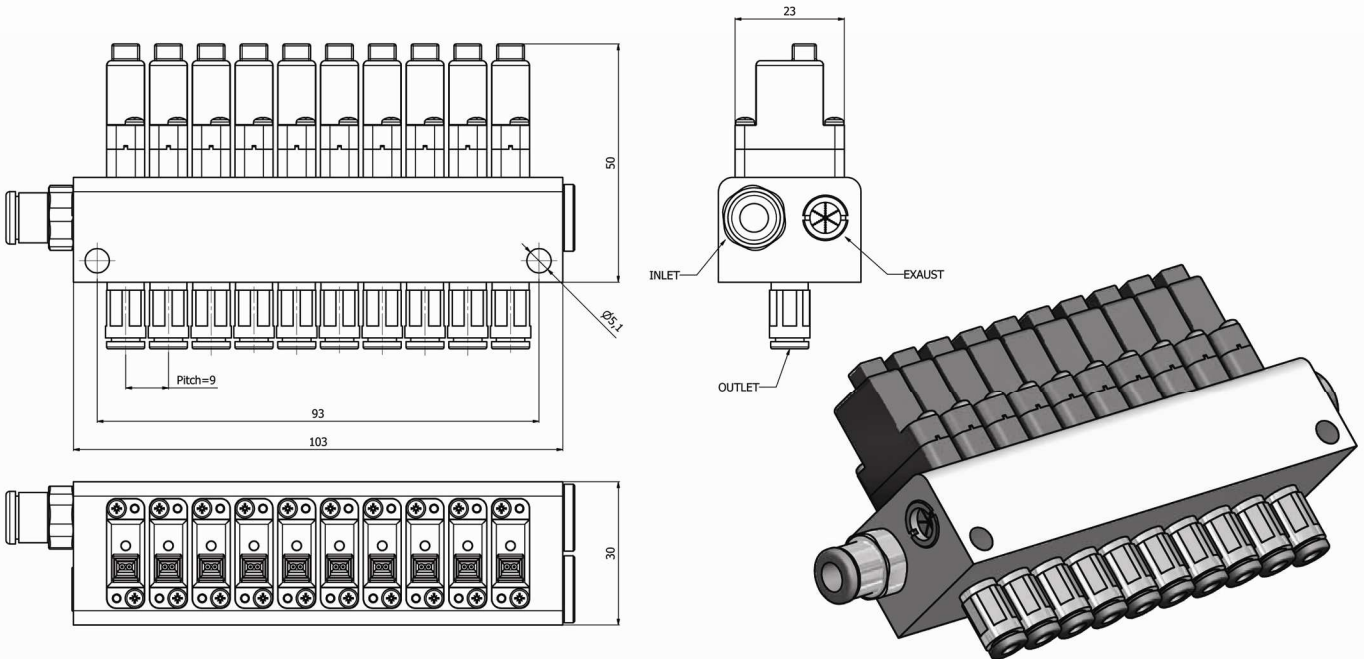
**D C X 3 2 1 1 E 3 C 3 2 4**

<p>● <b>OUTLETS</b></p> <table border="1"> <tr> <td>1</td> <td>1 Outlet</td> </tr> </table>		1	1 Outlet	<p>● <b>FUNCTION</b></p> <table border="1"> <tr> <td>C</td> <td>NC</td> </tr> <tr> <td>A</td> <td>NO</td> </tr> </table>		C	NC	A	NO									
1	1 Outlet																	
C	NC																	
A	NO																	
<p>● <b>SINGLE OUTLET FLOW RATE (at 6 bar)</b></p> <table border="1"> <tr> <td>C</td> <td>30 L/min.</td> </tr> <tr> <td></td> <td></td> </tr> <tr> <td></td> <td></td> </tr> </table>		C	30 L/min.					<p>● <b>TYPE</b></p> <table border="1"> <tr> <td>3</td> <td>3/2</td> </tr> <tr> <td>2</td> <td>2/2</td> </tr> </table>		3	3/2	2	2/2					
C	30 L/min.																	
3	3/2																	
2	2/2																	
<p>● <b>VERSION</b></p> <table border="1"> <tr> <td>D</td> <td>Manifold version (NBR flap)</td> </tr> <tr> <td></td> <td></td> </tr> <tr> <td></td> <td></td> </tr> </table>		D	Manifold version (NBR flap)					<p>● <b>CONTROL TENSION</b></p> <table border="1"> <tr> <td>24</td> <td>24 Vdc ±10%</td> </tr> <tr> <td>KK</td> <td>24/5 voltage speed-up [V] (Coming soon)</td> </tr> <tr> <td></td> <td></td> </tr> <tr> <td></td> <td></td> </tr> </table>		24	24 Vdc ±10%	KK	24/5 voltage speed-up [V] (Coming soon)					
D	Manifold version (NBR flap)																	
24	24 Vdc ±10%																	
KK	24/5 voltage speed-up [V] (Coming soon)																	
<p>● <b>No. ELECTRICAL CONTROLS</b></p> <table border="1"> <tr> <td>1</td> <td>N°1</td> <td>Control</td> </tr> <tr> <td></td> <td></td> <td></td> </tr> <tr> <td></td> <td></td> <td></td> </tr> </table>		1	N°1	Control							<p>● <b>OPERATING PRESSURE</b></p> <table border="1"> <thead> <tr> <th></th> <th>RANGE</th> <th>MODELS</th> </tr> </thead> <tbody> <tr> <td>3</td> <td>0-8 bar</td> <td>ALL</td> </tr> </tbody> </table>			RANGE	MODELS	3	0-8 bar	ALL
1	N°1	Control																
	RANGE	MODELS																
3	0-8 bar	ALL																
<p>● <b>PORT CONNECTION</b></p> <table border="1"> <tr> <td>E</td> <td>Integrated connection (Compatible Molex Pico-spox IP52)</td> </tr> <tr> <td>0</td> <td>500 mm. Moulded-in IP62 cable (Coming soon)</td> </tr> <tr> <td>1</td> <td>100 mm. Moulded-in IP62 cable (Coming soon)</td> </tr> </table>				E	Integrated connection (Compatible Molex Pico-spox IP52)	0	500 mm. Moulded-in IP62 cable (Coming soon)	1	100 mm. Moulded-in IP62 cable (Coming soon)									
E	Integrated connection (Compatible Molex Pico-spox IP52)																	
0	500 mm. Moulded-in IP62 cable (Coming soon)																	
1	100 mm. Moulded-in IP62 cable (Coming soon)																	

Integrated Molex Pico-Spox connection type (ref. SD874390200)



## Subplates / Manifolds (1, 2, 4, 6, 8, 10 seats)



Note: Custom executions and accessories available upon request. Please contact our Sales Dept. for more details.