



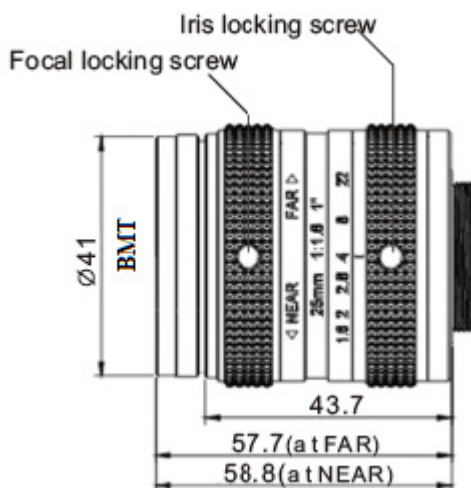
# 1" FA 5 MEGA PIXEL LENS SERIES BMT-1625M5



Release Version: V1.0-JULY-2017

## Key Highlights

- 1" imager format High performance mega-pixel C-Mount camera lens
- Very Low distortion
- Highly compact
- Iris & Focus locking screws
- Made up of metal



“BMT” is trademark of “BalaJi MicroTechnologies Pvt. Ltd.”

Model No		BMT-1625M5
Resolution		5 MP
Focal Length		25 MM
Iris Range		F1.6-F22
Lens Mount		C-Mount
Imager Format		1"
Field of View	1"	36.2° x 29° x 21.8°
	2/3'	25° x 20° x 15°
Control	Focus	Manual
	Iris	Manual
Distortion	1"	-2.05% @ y=8mm
	2/3"	-0.97% @ y=5.5mm
back focal length		12.7 mm
Filter Thread		M33.7x0.5mm
Working Temperature (degree celcius)		-10~+50
Weight		149 gm

### Europe Business

**BlueVision Technologies Europe GmbH (BVT)**  
(A Unit of B.B. Group of Companies)

Office: Einsteinstraße 28 | 85521 Ottobrunn |  
Germany

Email: [sales.germany@bluevision-technologies.com](mailto:sales.germany@bluevision-technologies.com)

Website: <http://www.bluevision-technologies.com/>

### India Business

**BalaJi MicroTechnologies Pvt. Ltd (BMT)**  
(A Unit of B.B. Group of Companies)  
Corporate Headquarter—New Delhi, India  
Sales Office: D-2/20, Sector 10 | DLF Faridabad-121006  
| Haryana, INDIA

Tel # +91-129-6561300 , +91-129-4006203

India: [sales.india@balaji-microtechnologies.com](mailto:sales.india@balaji-microtechnologies.com)

overseas: [sales.overseas@balaji-microtechnologies.com](mailto:sales.overseas@balaji-microtechnologies.com)

Website: <http://www.balaji-microtechnologies.com/>